

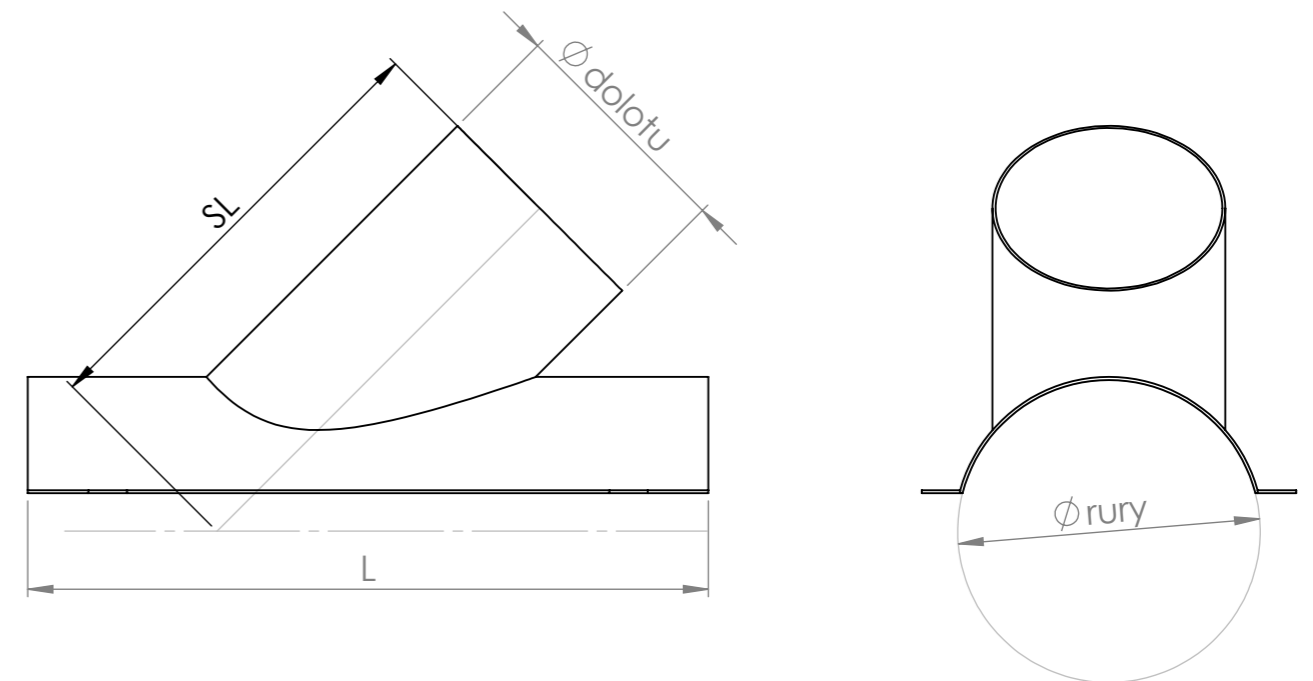
Trójnik siodłowy 45°				
DN	Ø rury x Ø dolotu [mm]	SL [mm]	L [mm]	INDEKS
100x50*	108x51	230	300	INOX-T-S-45-DN100x50*
100x50	108x60,3	235	300	INOX-T-S-45-DN100x50
100x65	108x76,1	245	300	INOX-T-S-45-DN100x65
100x100	108x108	260	300	INOX-T-S-45-DN100x100
125x50*	133x51	250	450	INOX-T-S-45-DN125x50*
125x50	133x60,3	255	450	INOX-T-S-45-DN125x50
125x65	133x76,1	265	450	INOX-T-S-45-DN125x65
125x100	133x108	280	450	INOX-T-S-45-DN125x100
125x125	133x133	290	450	INOX-T-S-45-DN125x125
150x50*	154x51	270	450	INOX-T-S-45-DN150x50*
150x50	154x60,3	275	450	INOX-T-S-45-DN150x50
150x65	154x76,1	285	450	INOX-T-S-45-DN150x65
150x100	154x108	300	450	INOX-T-S-45-DN150x100
150x125	154x133	310	450	INOX-T-S-45-DN150x125
150x150	154x154	320	450	INOX-T-S-45-DN150x150
200x50*	204x51	295	450	INOX-T-S-45-DN200x50*
200x50	204x60,3	300	450	INOX-T-S-45-DN200x50
200x65	204x76,1	305	450	INOX-T-S-45-DN200x65
200x100	204x108	320	450	INOX-T-S-45-DN200x100
200x125	204x133	335	450	INOX-T-S-45-DN200x125
200x150	204x154	345	450	INOX-T-S-45-DN200x150
200x200	204x204	370	500	INOX-T-S-45-DN200x200
250x50*	254x51	330	450	INOX-T-S-45-DN250x50*
250x50	254x60,3	335	450	INOX-T-S-45-DN250x50
250x65	254x76,1	340	450	INOX-T-S-45-DN250x65
250x100	254x108	355	450	INOX-T-S-45-DN250x100
250x125	254x133	370	450	INOX-T-S-45-DN250x125
250x150	254x154	380	450	INOX-T-S-45-DN250x150
250x200	254x204	405	500	INOX-T-S-45-DN250x200
250x250	254x254	430	550	INOX-T-S-45-DN250x250
300x50*	304x51	365	450	INOX-T-S-45-DN300x50*
300x50	304x60,3	370	450	INOX-T-S-45-DN300x50
300x65	304x76,1	375	450	INOX-T-S-45-DN300x65
300x100	304x108	390	450	INOX-T-S-45-DN300x100
300x125	304x133	405	450	INOX-T-S-45-DN300x125
300x150	304x154	415	450	INOX-T-S-45-DN300x150
300x200	304x204	440	500	INOX-T-S-45-DN300x200
300x250	304x254	465	550	INOX-T-S-45-DN300x250
300x300	304x304	490	650	INOX-T-S-45-DN300x300
400x50*	406x51	435	450	INOX-T-S-45-DN400x50*
400x50	406x60,3	440	450	INOX-T-S-45-DN400x50
400x65	406x76,1	450	450	INOX-T-S-45-DN400x65
400x100	406x108	465	450	INOX-T-S-45-DN400x100
400x125	406x133	475	450	INOX-T-S-45-DN400x125
400x150	406x154	485	450	INOX-T-S-45-DN400x150
400x200	406x204	515	500	INOX-T-S-45-DN400x200
400x250	406x254	540	550	INOX-T-S-45-DN400x250
400x300	406x304	565	650	INOX-T-S-45-DN400x300
400x400	406x406	615	750	INOX-T-S-45-DN400x400
500x50*	506x51	510	450	INOX-T-S-45-DN500x50*
500x50	506x60,3	515	450	INOX-T-S-45-DN500x50
500x65	506x76,1	525	450	INOX-T-S-45-DN500x65
500x100	506x108	540	450	INOX-T-S-45-DN500x100
500x125	506x133	550	450	INOX-T-S-45-DN500x125
500x150	506x154	560	450	INOX-T-S-45-DN500x150
500x200	506x204	585	500	INOX-T-S-45-DN500x200
500x250	506x254	610	550	INOX-T-S-45-DN500x250
500x300	506x304	635	650	INOX-T-S-45-DN500x300
500x400	506x406	685	750	INOX-T-S-45-DN500x400
500x500	506x506	740	900	INOX-T-S-45-DN500x500

KT-INOX-T-S-45

KARTA TECHNICZNA-INOX-TRÓJNIK-PĘLNY-45


INOX
DWD Flow

600x50*	609,6x51	590	450	INOX-T-S-45-DN600x50*
600x50	609,6x60,3	595	450	INOX-T-S-45-DN600x50
600x65	609,6x76,1	605	450	INOX-T-S-45-DN600x65
600x100	609,6x108	620	450	INOX-T-S-45-DN600x100
600x125	609,6x133	630	450	INOX-T-S-45-DN600x125
600x150	609,6x154	640	450	INOX-T-S-45-DN600x150
600x200	609,6x204	665	500	INOX-T-S-45-DN600x200
600x250	609,6x254	690	550	INOX-T-S-45-DN600x250
600x300	609,6x304	715	650	INOX-T-S-45-DN600x300
600x400	609,6x406	760	750	INOX-T-S-45-DN600x400
600x500	609,6x506	810	900	INOX-T-S-45-DN600x500
600x600	609,6x609,6	865	1050	INOX-T-S-45-DN600x600



Materiał:

- stal nierdzewna 1.4571

3					
2					
1					
Nr	Data	Opis zmiany		Podpis	
		 DWD System Sp. z o.o. ul. Kiszewska 10 80-178 Gdańsk www.dwdsystem.pl e-mail: pl.info@dwdsystem.pl		Nazwa opracowania: Kształtki INOX DWD System Flow	
Opracował:	Piotr Dziąg	Data	03.2016	Nazwa rysunku: KARTA TECHNICZNA: Trójnik siodłowy INOX 45 KT-INOX-T-S-45	
Sprawił:		Data ostatniej modyfikacji: 15 marca 2016 11:14:16			
Zatwierdził:				Materiał:	Skala:
Stadium:				Szacunkowy koszt:	1:5
				Powierzchnia:	A3
				Masa:	