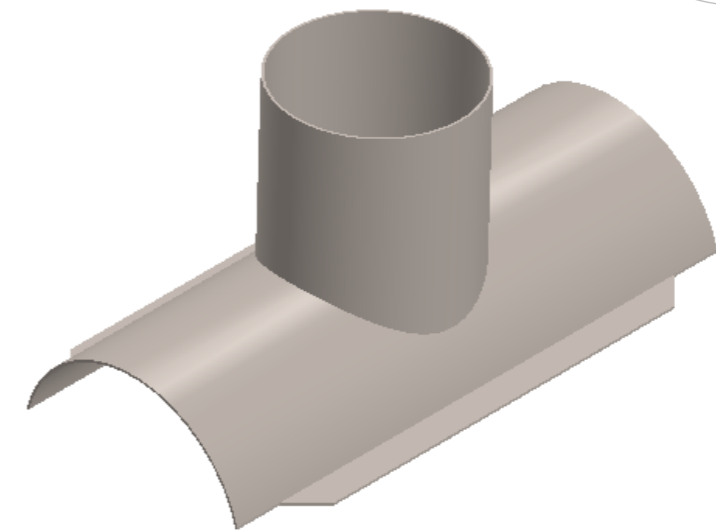
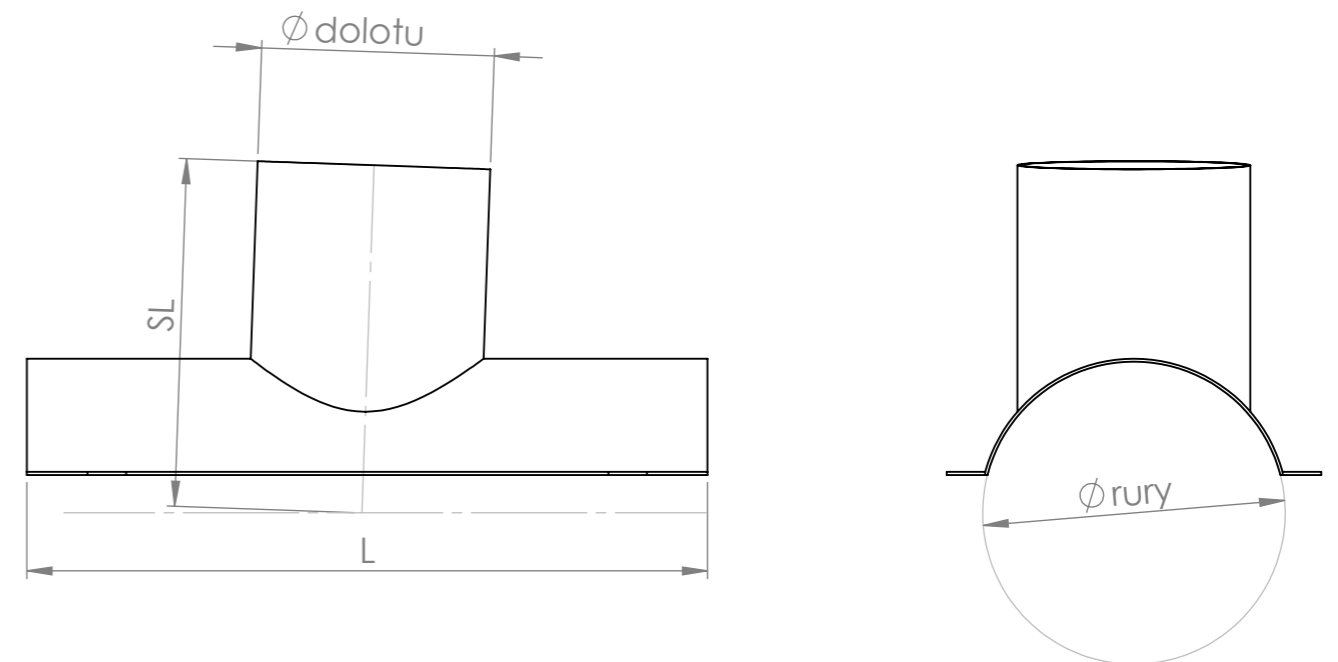



Trójnik siodłowy 88°				
DN	Ø rury x Ø dolotu [mm]	SL [mm]	L [mm]	INDEKS
100x50*	108x51	180	300	INOX-T-S-88-DN100x50*
100x50	108x60,3	180	300	INOX-T-S-88-DN100x50
100x65	108x76,1	180	300	INOX-T-S-88-DN100x65
100x100	108x108	180	300	INOX-T-S-88-DN100x100
125x50*	133x51	195	450	INOX-T-S-88-DN125x50*
125x50	133x60,3	195	450	INOX-T-S-88-DN125x50
125x65	133x76,1	195	450	INOX-T-S-88-DN125x65
125x100	133x108	195	450	INOX-T-S-88-DN125x100
125x125	133x133	195	450	INOX-T-S-88-DN125x125
150x50*	154x51	210	450	INOX-T-S-88-DN150x50*
150x50	154x60,3	210	450	INOX-T-S-88-DN150x50
150x65	154x76,1	210	450	INOX-T-S-88-DN150x65
150x100	154x108	210	450	INOX-T-S-88-DN150x100
150x125	154x133	210	450	INOX-T-S-88-DN150x125
150x150	154x154	210	450	INOX-T-S-88-DN150x150
200x50*	204x51	230	450	INOX-T-S-88-DN200x50*
200x50	204x60,3	230	450	INOX-T-S-88-DN200x50
200x65	204x76,1	230	450	INOX-T-S-88-DN200x65
200x100	204x108	230	450	INOX-T-S-88-DN200x100
200x125	204x133	230	450	INOX-T-S-88-DN200x125
200x150	204x154	230	450	INOX-T-S-88-DN200x150
200x200	204x204	230	450	INOX-T-S-88-DN200x200
250x50*	254x51	255	450	INOX-T-S-88-DN250x50*
250x50	254x60,3	255	450	INOX-T-S-88-DN250x50
250x65	254x76,1	255	450	INOX-T-S-88-DN250x65
250x100	254x108	255	450	INOX-T-S-88-DN250x100
250x125	254x133	255	450	INOX-T-S-88-DN250x125
250x150	254x154	255	450	INOX-T-S-88-DN250x150
250x200	254x204	255	450	INOX-T-S-88-DN250x200
300x50*	304x51	280	450	INOX-T-S-88-DN300x50*
300x50	304x60,3	280	450	INOX-T-S-88-DN300x50
300x65	304x76,1	280	450	INOX-T-S-88-DN300x65
300x100	304x108	280	450	INOX-T-S-88-DN300x100
300x125	304x133	280	450	INOX-T-S-88-DN300x125
300x150	304x154	280	450	INOX-T-S-88-DN300x150
300x200	304x204	280	450	INOX-T-S-88-DN300x200
400x50*	406x51	330	450	INOX-T-S-88-DN400x50*
400x50	406x60,3	330	450	INOX-T-S-88-DN400x50
400x65	406x76,1	330	450	INOX-T-S-88-DN400x65
400x100	406x108	330	450	INOX-T-S-88-DN400x100
400x125	406x133	330	450	INOX-T-S-88-DN400x125
400x150	406x154	330	450	INOX-T-S-88-DN400x150
400x200	406x204	330	450	INOX-T-S-88-DN400x200
500x50*	506x51	380	450	INOX-T-S-88-DN500x50*
500x50	506x60,3	380	450	INOX-T-S-88-DN500x50
500x65	506x76,1	380	450	INOX-T-S-88-DN500x65
500x100	506x108	380	450	INOX-T-S-88-DN500x100
500x125	506x133	380	450	INOX-T-S-88-DN500x125
500x150	506x154	380	450	INOX-T-S-88-DN500x150
500x200	506x204	380	450	INOX-T-S-88-DN500x200
600x50*	609,6x51	430	450	INOX-T-S-88-DN600x50*
600x50	609,6x60,3	430	450	INOX-T-S-88-DN600x50
600x65	609,6x76,1	430	450	INOX-T-S-88-DN600x65
600x100	609,6x108	430	450	INOX-T-S-88-DN600x100
600x125	609,6x133	430	450	INOX-T-S-88-DN600x125
600x150	609,6x154	430	450	INOX-T-S-88-DN600x150
600x200	609,6x204	430	450	INOX-T-S-88-DN600x200



**Materiał:**  
- stal nierdzewna 1.4571

3					
2					
1					
Nr	Data	Opis zmiany		Podpis	
		<b>DWD System Sp. z o.o.</b> ul. Kiszewska 10 80-178 Gdańsk <a href="http://www.dwdsystem.pl">www.dwdsystem.pl</a> e-mail: <a href="mailto:pl.info@dwdsystem.pl">pl.info@dwdsystem.pl</a>		Nazwa opracowania: Kształtki INOX DWD System Flow	
Opracował:	Piotr Dziąg	Data	03.2016	Podpis	
Sprawił:					Data ostatniej modyfikacji: <b>16 marca 2016 13:28:51</b>
Zatwierdził:					Materiał: Szacunkowy koszt: Powierzchnia: Masa:
Stadium:					Skala: <b>1:5</b> Arkusz: <b>A3</b>